

KENWOOD

STEREO POWER AMPLIFIER

KAC-820

NOT BRIDGABLE

INSTRUCTION MANUAL

Take the time to read through this instruction manual. Familiarity with installation and operation procedures will help you obtain the best performance from your new power amplifier.

For your records

Record the serial number found on the bottom of the unit in the spaces designated on the warranty card and in the space provided below. Refer to the model and serial numbers whenever you call upon your KENWOOD dealer for information or service on this product.

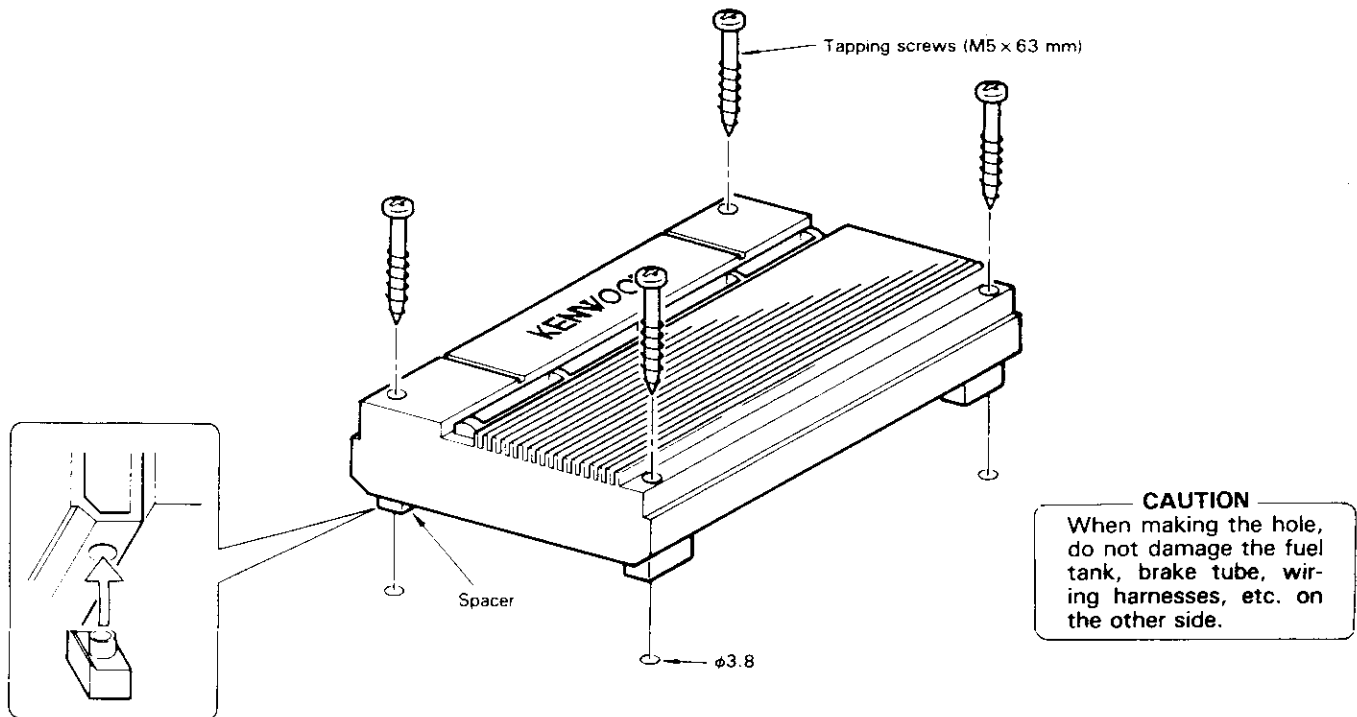
Model KAC-820 Serial number _____

©PRINTED IN JAPAN B50-8634-00(E)(T)
90/12 11 10

Installation

■ When installing to the car, install the unit securely for safety driving.

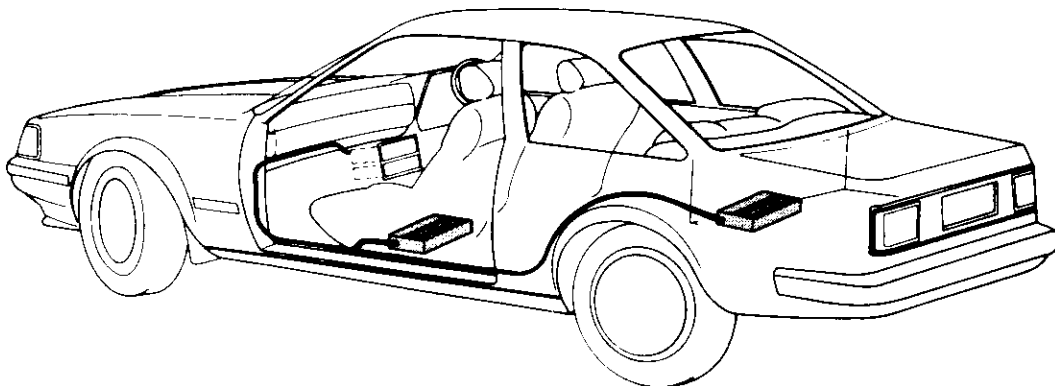
- Use screws supplied as accessories when installing the unit.
- Insert spacers into the screw holes so that the projected edges of the spacers face toward the outside, and fix them using tapping screws.



- Since the power amplifier has no parts which require operation, it can be installed at a position away from the driver's seat without any hindrances.

As generally accepted positions for its installation, places such as under the front seat or inside the trunk, etc. can be considered.

- Use the extension cables. CA-18F (1 m), CA-28F (2 m), and CA-48F (4 m) (optional) when the connected models are to be installed away from the power amplifier.
- Install the unit in a well-ventilated place and do not place the (heavy) object on it.



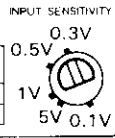
Precautions

- Before starting to install the set, make sure to remove the negative (-) terminal of the battery in order to prevent shortcircuiting.
- When installation and wiring are completed, connect the negative (-) terminal of the battery after confirming that there are no errors.
- When a fuse is blown out, check for any shortcircuiting of cords, and then replace it with a fuse having the specified capacity.
- The maximum output power of this unit is 140 W + 140 W. Therefore, the power handling capacity of the speakers connected to this unit should be 140 W or more. If a speaker with a smaller handling capacity is connected and driven at a high level, the speaker unit may be damaged.

Input sensitivity control

The input sensitivity control adjusts the input sensitivity within a range of 0.1 V to 5.0 V continuously, enabling expansion with various systems. This unit has been set for 0.3V.

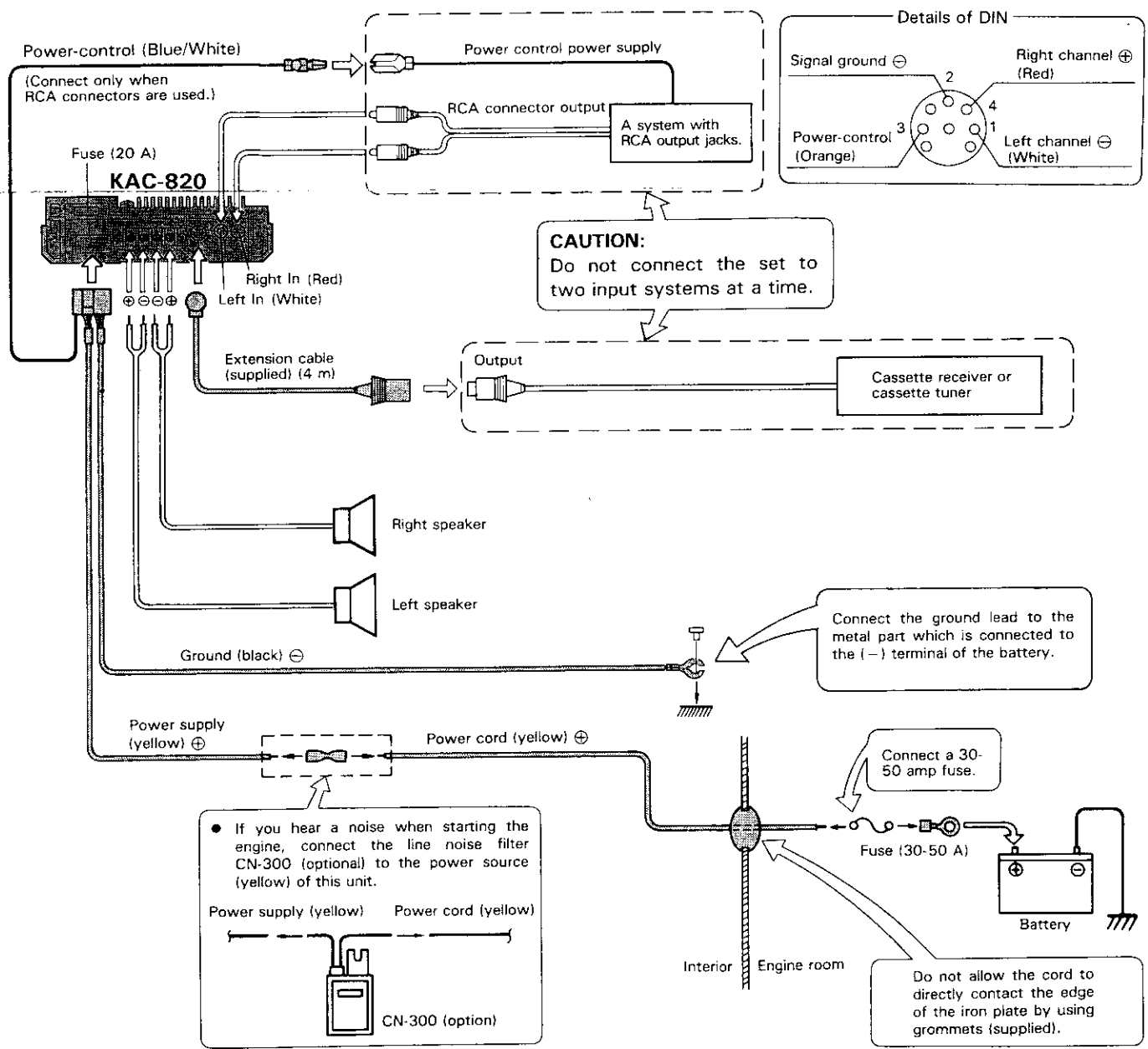
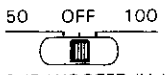
KENWOOD head unit preout level (MAX.)	Amplifier input sensitivity
300 mV	0.1 V
1 V	0.3~0.5 V



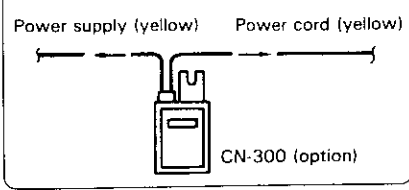
Sub-woofer selector (MONO output)

BUILT-IN ELECT. CROSSOVER

This switch allows the selection between the ordinary output and sub-woofer output.
 OFF: Ordinary speaker output.
 50 Hz: Sub-woofer output with a cutoff frequency of 50 Hz.
 100 Hz: Sub-woofer output with the cutoff frequency of 100 Hz.



• If you hear a noise when starting the engine, connect the line noise filter CN-300 (optional) to the power source (yellow) of this unit.



Care and Maintenance

- The power source of this unit is exclusively DC 12 V, negative ground.
- Do not place the amplifier in a place where the amplifier may be exposed to direct sunlight, heat or moisture. Be careful that metal objects and water do not enter the set.
- If you have difficulty in installing the set in your car, please contact with your KENWOOD dealer.

Cleaning

Clean with a dry silicone cloth or a soft cloth. The use of thinner, alcohol or other solvents may damage the surface finish.

Specifications

Specifications subject to change without notice

Main amp section

Maximum output power (1 kHz, 4 Ω)	140 W + 140 W
Rated output power (10% THD, 1 kHz, 4 Ω)	95 W + 95 W
(less than 0.5% THD, 20 Hz - 20 kHz, 4 Ω)	75 W + 75 W
Frequency response (-3 dB)	2 Hz - 100 kHz
Input sensitivity (at rated output) Max.	0.1 V
Min.	5.0 V
Signal-to-noise ratio	100 dB
Input impedance	10 k Ω
Damping factor (100 Hz)	More than 200
Sub woofer frequency	50 Hz, 100 Hz

General

Operating voltage (GND)	14.4 V (11 - 16 V)
Current consumption	20 A
Dimensions (W x H x D)	200 x 60 x 300 mm (7-7/8 x 2-3/8 x 11-13/16 in.)
Weight	4.0 kg (8.8 lb)